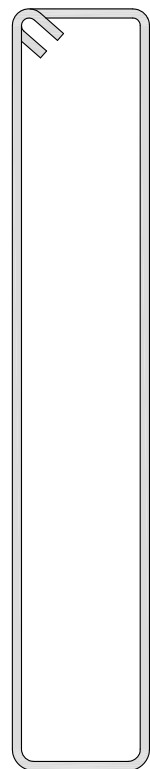
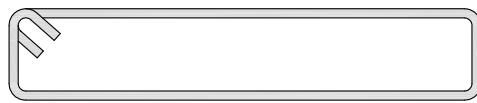


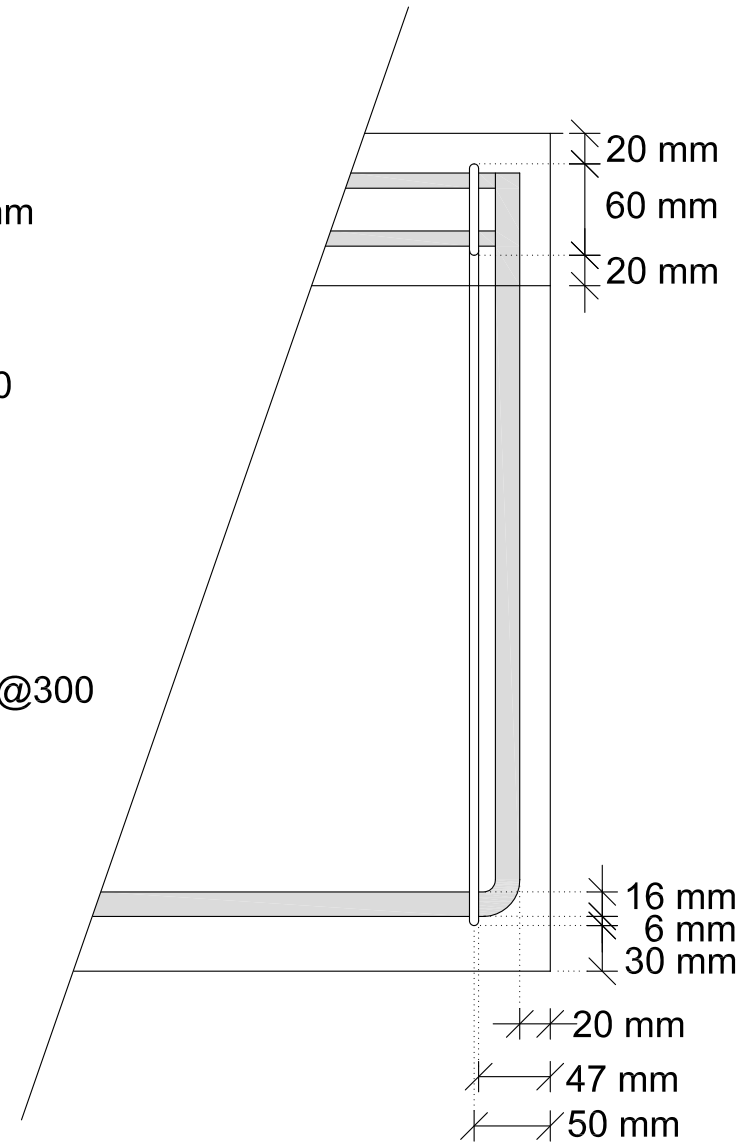
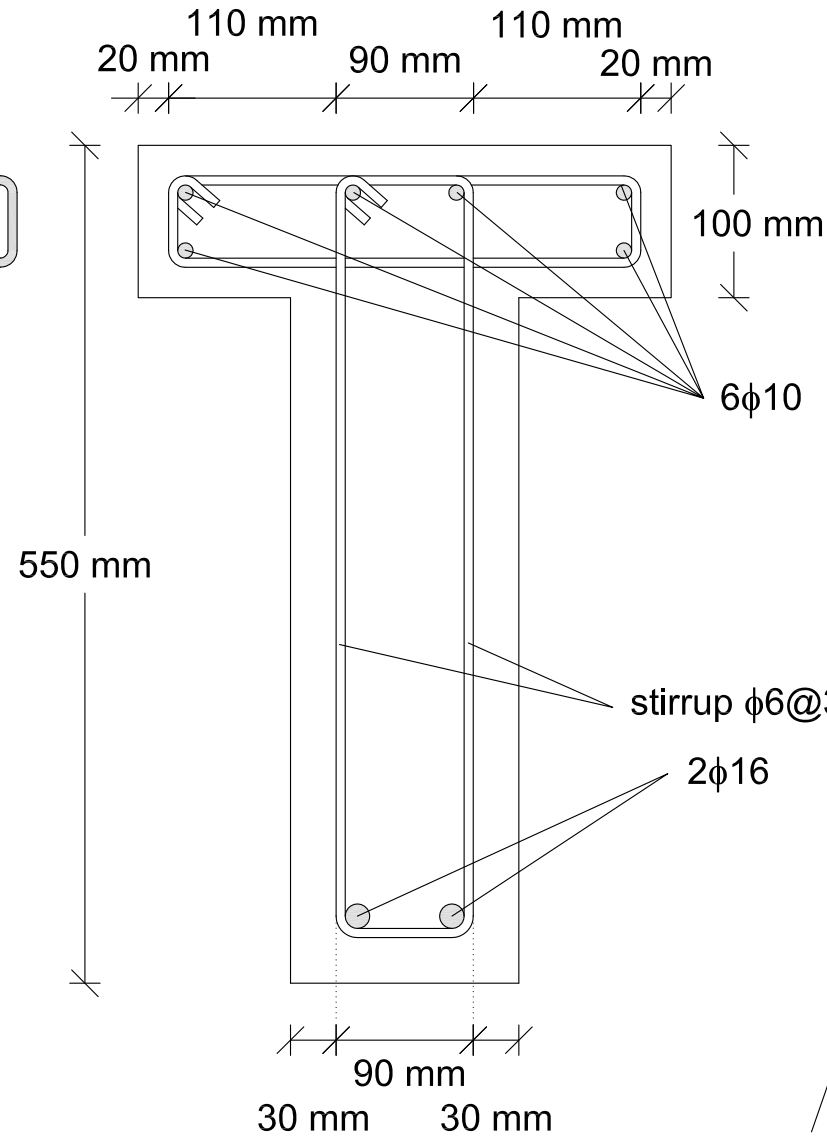
Scale 1:5



+



Stirrup  $\phi 6@300$



### Detailing of the T-beam:

concrete cover = 20(flange), 30(web) mm;  
number of stirrups: 22;